



"Innovative Products for Independent Living"

# The Advantage-Pole™

## INSTALLATION INSTRUCTIONS Models AR-AP

### **CAUTION** RISK OF INJURY!

Read & understand these instructions prior to using product. It is your responsibility to see that your Advantage-Pole™ is properly assembled, installed, operated, and cared for. Failure to follow these instructions could result in injury.

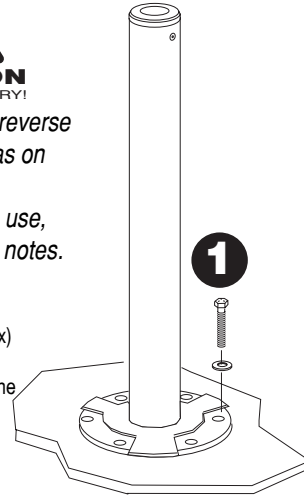
The Advantage-Pole™ should only be installed in areas where the floor is structurally sound. If you are not equipped to undertake the outlined work we recommend that you have your Advantage-Pole™ installed by a qualified contractor. Unit must be secured to floor with fasteners appropriate to the floor material - fasteners must be rated for at least 400lbs/188kg retention force each (see within for recommendations). Floor mount fasteners should be inspected monthly and tightened if necessary. Maximum suggested user weight of 350 lbs/159kg.

### **A** Secure mast to floor



**\*\* First see reverse side for ideas on locating rail, fasteners to use, and caution notes.**

Secure mast to floor using 6 (six) fasteners appropriate to the floor material. (see reverse)

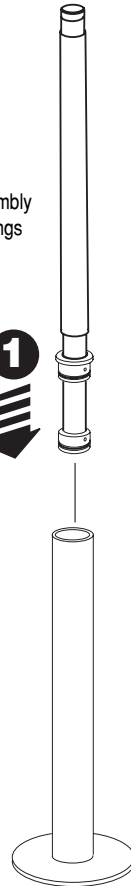


### **B** Assemble Pole

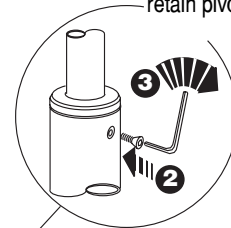


**\*\* First read complete instructions for ideas on locating rail, installing floor plate, fasteners to use, and caution notes.**

Install pole top assembly complete with bushings



Install screw to retain pivot

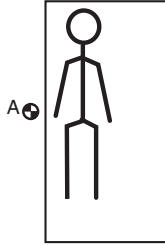


# Installation Notes

We strongly recommend that you give thought as to the optimal location of your Advantage-Pole™ before installation. HINT - the following questions may help you to decide upon a location:

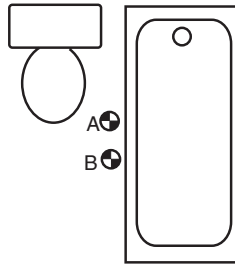
- What motions will you be going through? (pulling up to standing, lowering to sitting, transferring from chair to toilet, etc.)
- What is your strongest side/hand?
- What is your complete transfer path? Will the location allow for full support over most of your path of motion?
- Will the pole be far enough away to allow you to stand comfortably?
- Does the Advantage-Pole™ line up with an appropriate location of the floor in the proposed location (i.e. on floor joist, on tile grout joint, etc)
- Given a choice, is there a location that the Advantage-Pole™ would be in a lower traffic area?

# Location Suggestions...



## Bed

Locate unit adjacent to hip/belt line and as close to bed as possible while allowing clearance for bed coverings. Plan the best location for your convenience.



## Bathtub and/or Toilet

**Toilet** - suggested to locate unit between three to ten inches forward of the knees and two to six inches to side of knees when seated. **Bathtub only** - locate base against tub, approximately half way along its length.

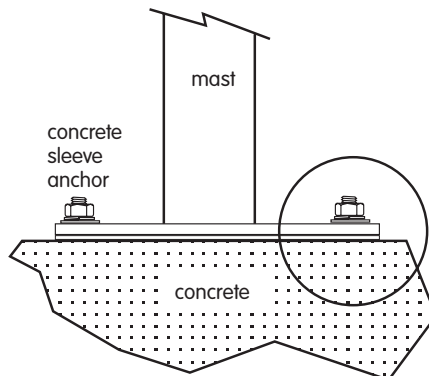
# Floor Fasteners

**IMPORTANT** - Fasteners used for securing the Advantage Pole™ to the floor require an installed retention force rating of at least 400 lbs / 180 kg each.

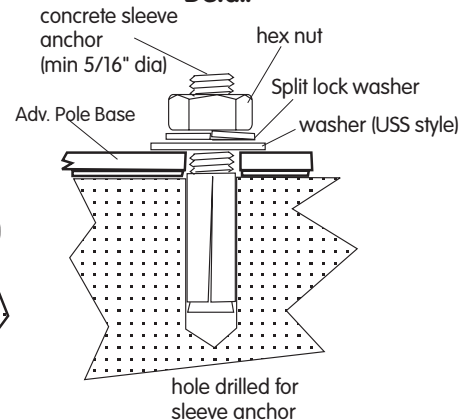
For installation on concrete floors, a 5/16" sleeve or wedge type anchor is recommended. Follow manufacturers recommendations for proper installation.

For wood deck floors, a bolt/nut/washers combination is recommended. If a wood support beam is present, install a wood lag screw in those hole locations over the beam, ensuring at least a 3"/7cm thread engagement, and suitable condition

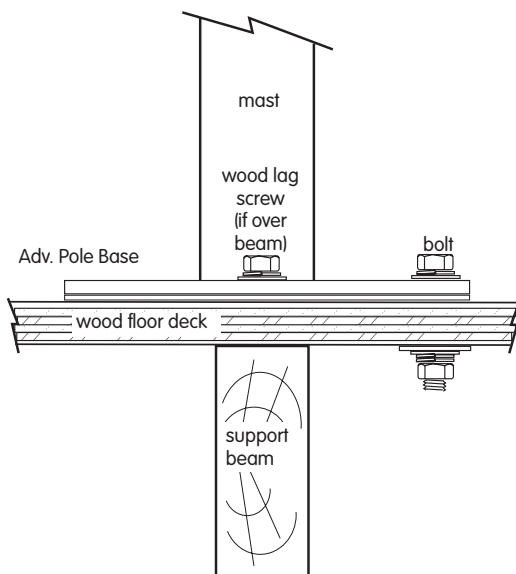
## Concrete Floor Installation



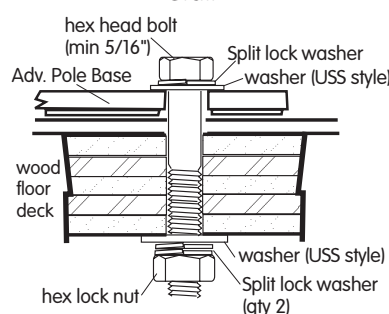
## Sleeve Anchor Detail



## Wood Deck Floor Installation



## Bolt/Nut/Washer Detail



## Wood Lag Screw Detail

