



# SuperTray

## Installation Instructions

### Model SPT-AK

**THANK YOU...** for purchasing the SuperTray™. We are confident that you will find the unique design and durable construction of this HealthCraft product to be of great assistance in your daily routine.

The SuperTray™ simply snaps on to your SuperPole™ to provide the convenience of a bed-side or over bed table. The SuperTray is easy to install, remove and adjust in height or position. It is a compact alternative to bulky floor based over bed tables.

To fully enjoy your SuperTray™, please take a few moments to read these instructions. You should store these instructions in a safe place for future reference.

**CAUTION:** It is your responsibility to see that your SuperTray is properly assembled, installed, and cared for. Failure to follow instructions in this manual could result in injury.

**DO NOT** adjust the height of the tray on the SuperPole when there are items on the tray. Remove any items from the tray prior to adjusting its height.

**IMPORTANT:** Your SuperTray should only be used on a HealthCraft SuperPole™ floor to ceiling pole. Recommended weight limit is 15 lb. Do not sit or lean on the SuperTray or injury may result.

**BEFORE STARTING:** Ensure that your SuperPole is free of grease, oil or dirt prior to installing your SuperTray. The SuperTray relies on rubber friction to hold its place and its performance may be affected by grease, oil or dirt on the pole.

#### ASSEMBLY & INSTALLATION

1. Removing protective packaging from all items. Locate the bag containing the flat head screws(1) and allen wrench(2).
2. Secure the tray frame (3) to the support arm (4) using four of the flat head screws(1) and the allen wrench (2) to tighten the screws as shown in figure 1.
3. Install the tray frame assembly(5) on to your SuperPole™ (7) by tilting the frame upward to allow the two c-hooks to engage onto opposite sides of the SuperPole™, as shown in figure 2. Lower the frame to a horizontal position making it lock in position on the SuperPole™ as shown in figure 3. You may need to apply a little downward pressure to make it "snap" onto the pole.
4. You may now place the plastic tray (6) onto the frame assembly (5) installed on the SuperPole™ as shown in figure 4. Your SuperTray is now installed!

**HEIGHT/POSITION ADJUSTMENT - NOTE:** remove all items from the tray prior to adjusting height - to adjust height, support the tray on both sides, lift up on the outer edge to unlock, slide the tray up or down, and lower to lock when in desired location as shown in steps 1&2 of figure 5. To change angle of the tray, simply lift slightly on the outer edge of the tray and rotate to the desired location.

**CLEANING** - The tray and tray support frame may be cleaned with a mild detergent and soft cloth.

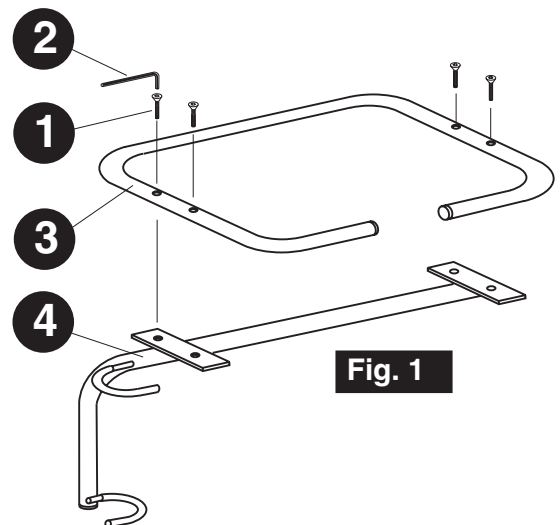


Fig. 1

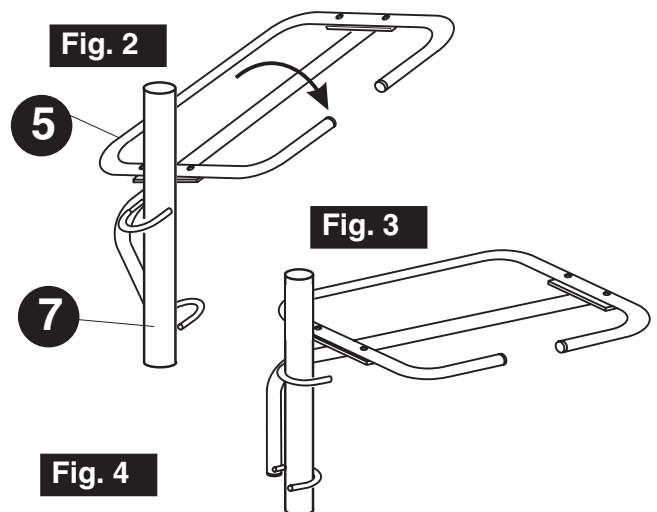


Fig. 2

Fig. 3

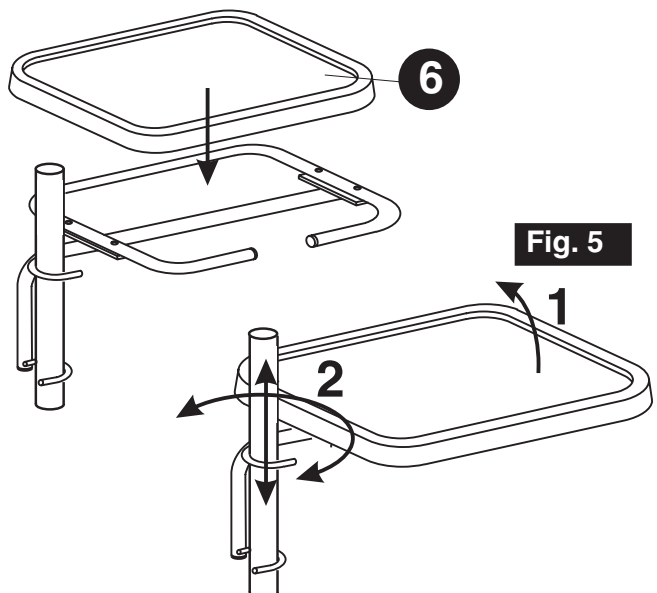


Fig. 5